

1、COMPANY PRESENTATION

ChongQing Xintai Machinery Limited Company is formerly named as “ ChongQing Mine Machinery Factory” under the ChongQing Municipal Administration of Machinery Industry, it was a small state-owned enterprise. Before the restructure in 1998, the accumulated losses were 1.68 million Yuan(0.21 million USD).At present, the company has more than 400 employees, and the registered capital is 13.35 million Yuan(1.96 million USD), with total assets of 150 million Yuan(22 million USD). The company has been recognized as the top 10 industrial zones in YongChuan for eight years , priority support enterprise, a business-class taxpayer, high-tech enterprise in ChongQing Municipality, the contract faithful enterprise, China's outstanding private technology enterprise, the oil drilling technology and tools standardization Committee member unit.

XINTAI company specializes in the production of oil drilling equipment, the main products are high pressure valve, KQ series wellhead, casing head, rotating BOP, choke valve, mud&gas separator, mud pump, hard sealed ball valve, down hole tools and various accessories. The wellhead equipment, slip-casing head, automatic flat expansion valve are considered as new important products in ChongQing Municipality. Manual choke valve, manual gate valve, check valve, rapid disassemble & installation gate valve, mud&gas separator, choke&kill manifold are honored as national patents.

XINTAI company always insists on the tenet of “quality first and customers foremost”. It has been authorized to use the official American Petroleum Institute (short as API6A,16A,16C), it owns the qualification of import and export through the certificate of ISO9001:2000 quality management system. XINTAI company is the first grade network member unit of Petro China, SINOPEC, CNOOC. Our products are usually sold to Tarim, Sichuan, Eroses, ShengLi, Haiyang and other national oilfield and exported to the US, Indonesia, Burma, Iran, Kuwait, Sudan, Nigeria and Republic of Uzbekistan, some other countries and areas.

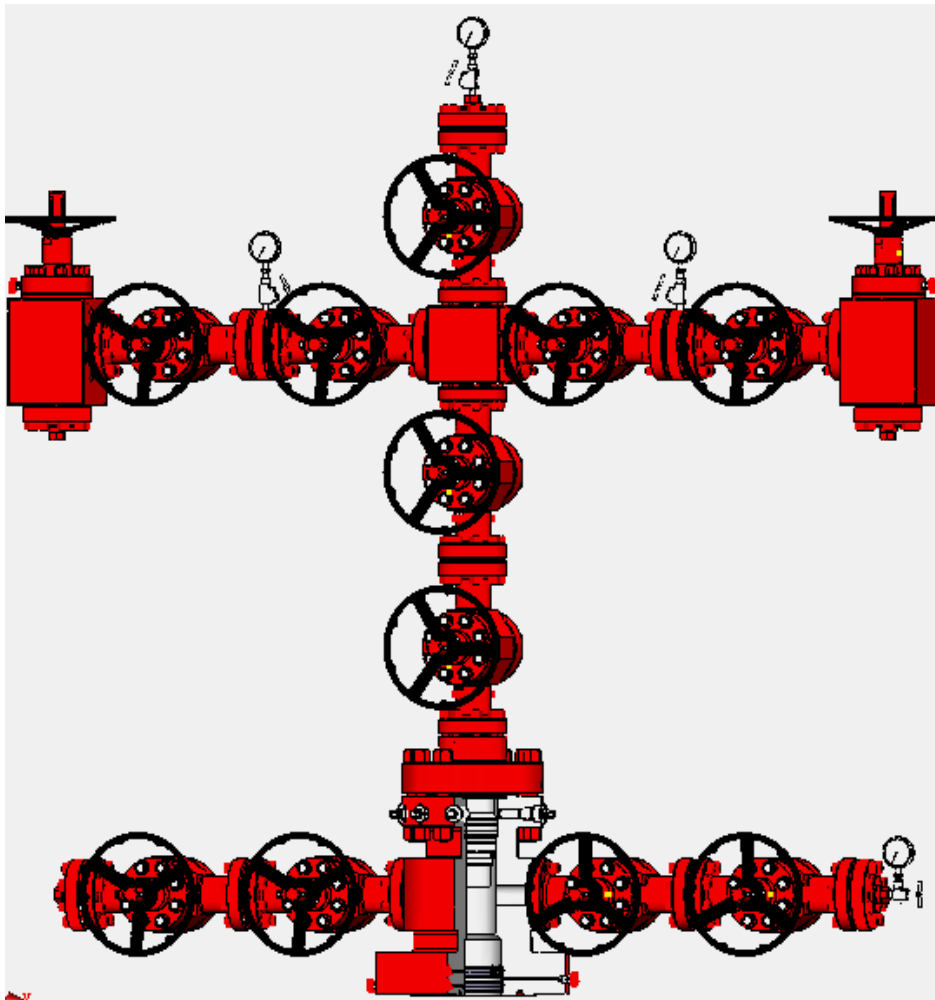
IN 2008, cooperating with the Southwest Petroleum University, XINTAI company has founded a “producing , teaching and researching practical base”. XINTAI devotes actively to charity and public career. Contribute Xintai Guishang citizen park

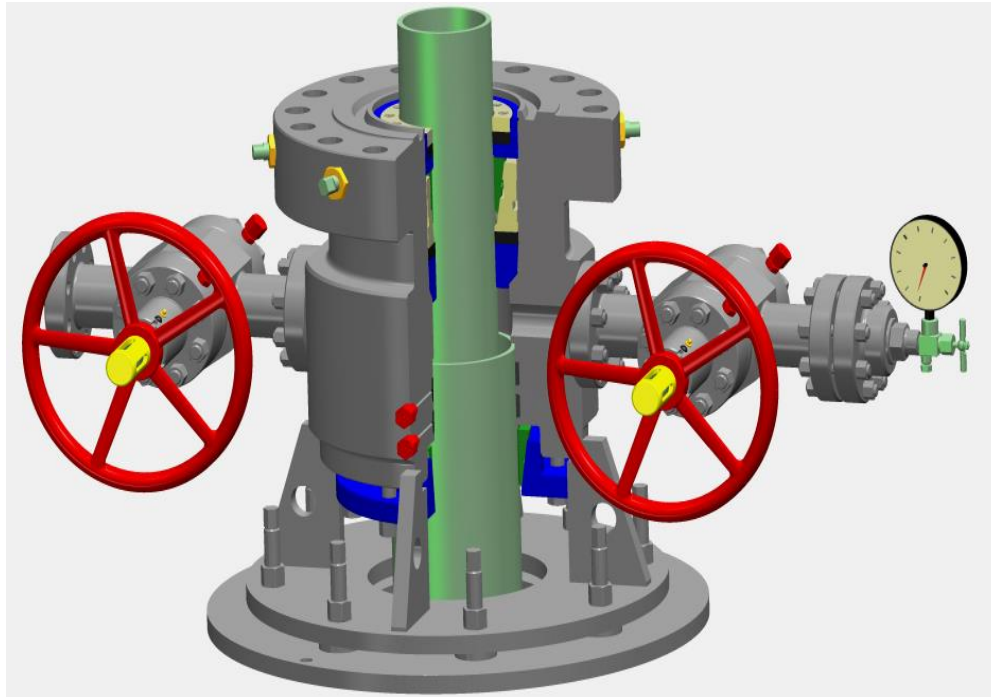
to the public for free, expand Xintai Road, solve the reemployment of about 200 laid-off workers, which has contributed much to local economy.

4、PRODUCT

A. WELLHEAD & X-MAS TREE

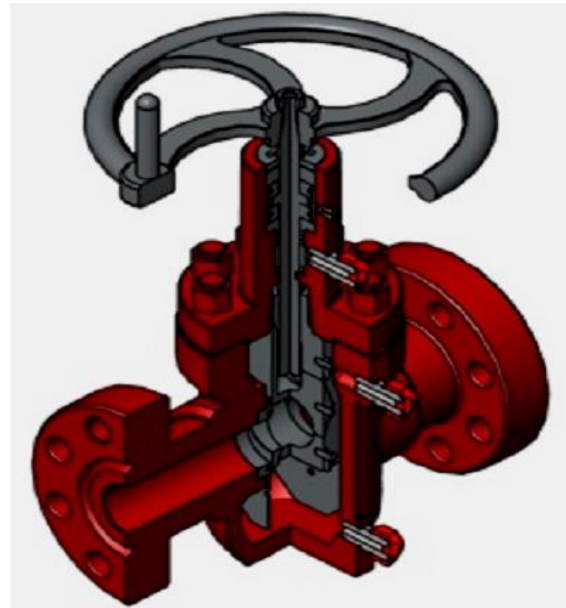
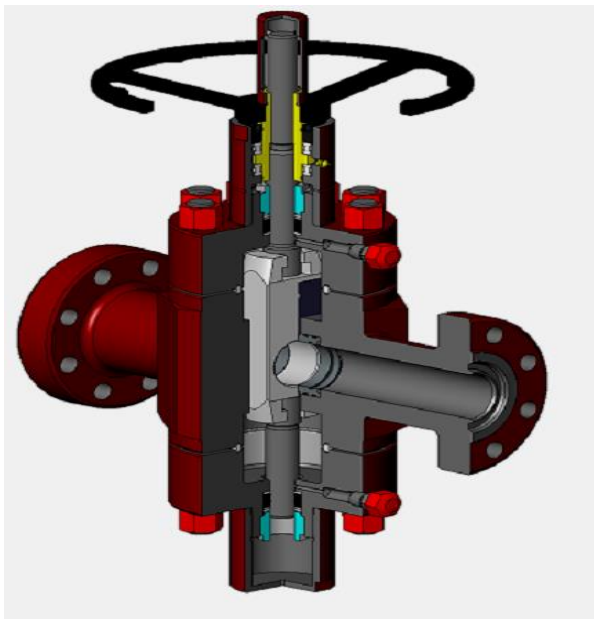
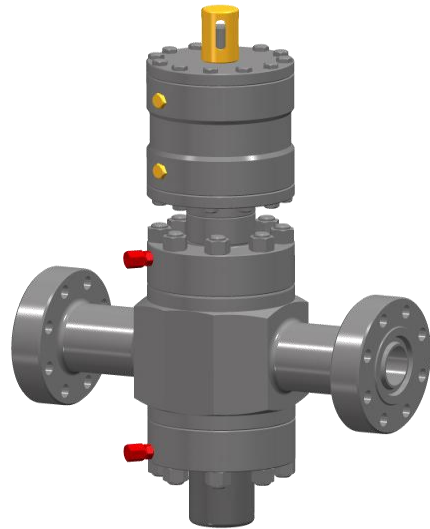
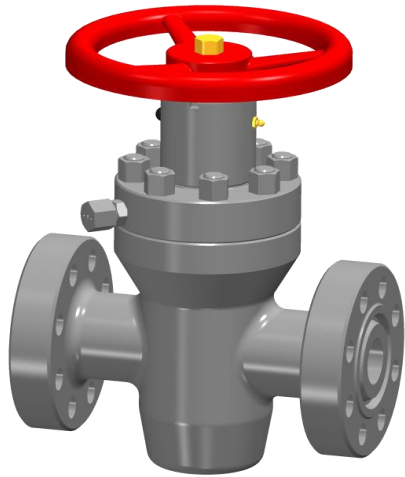
井口及采油树 wellhead &X'Mas tree	传统型井口及采油树 conventional wellhead&X'Mas tree	设计规范 SPEC:API SPEC 6A 压力 working pressure: 2000psi~ 20000psi 材料级别 material class: AA,BB,CC,DD,EE,FF 温度级别 T.C:L.U(-46~121℃),X(-18~ 180℃),Y(-18~345℃) 规范级别 PSL:1,2,3,3G,4 性能级别 PR:1,2
	整体式井口及采油树 solid block wellhead&X'Mas tree	
	双管柱井口及采油树 dual-string wellhead&X'Mas tree	
	电潜泵井口及采油树 ESP wellhead&X'Mas tree	
	卧式井口及采油树 Horizontal wellhead&X'Mas tree	
	高温注气井口 high temp steam injector wellhead&X'Mas tree	
	多座式井口及采油树 multibowl wellhead&X'Mas tree	
	旋转测试树 rotating surface tree	





B. VALVES

阀门 VALVE	整体阀板平板阀 slab gate valve	设计规范 SPEC:API SPEC 6A/6D 压力 working pressure: 2000psi~ 20000psi 材料级别 material class: AA,BB,CC,DD,EE,FF 温度级别 T.C:L.U(-46~121℃) 规范级别 PSL:1,2,3,3G,4 性能级别 PR:1,2
	膨胀阀板平板阀 expanding gate valve	
	生产节流阀 production choke valve	
	钻井节流阀 drill choke valve	
	地面安全阀 surface safty valve	
	球阀 ball valve	
	单流阀 check valve	

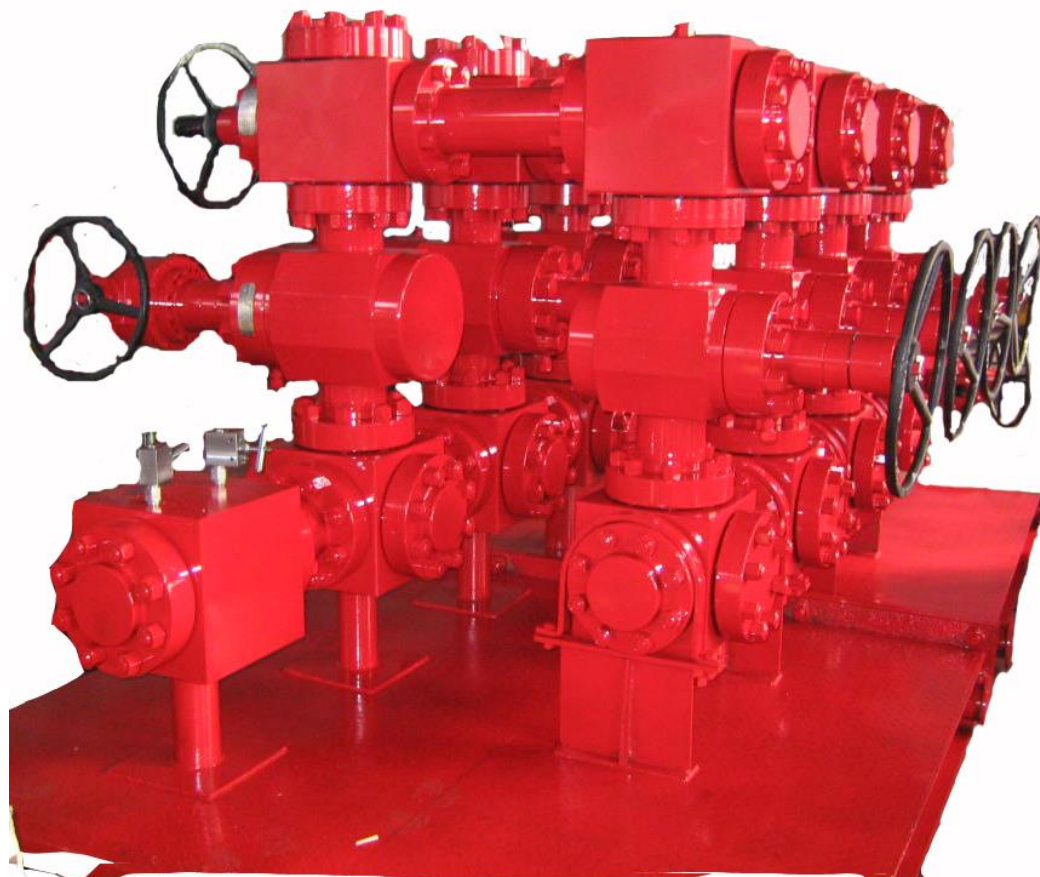


C.MANIFOLD

管汇 manifold	节流管汇 choke manifold	设计规范 SPEC:API SPEC 16C 压力 working pressure: 2000psi~ 20000psi 材料级别 material class: DD,EE,FF 温度级别 T.C:L.U(-46~121℃)
	压井管汇 kill manifold	
	测试管汇 test manifold	
	多级多路节流管汇 multistage&multiroute choke manifold	

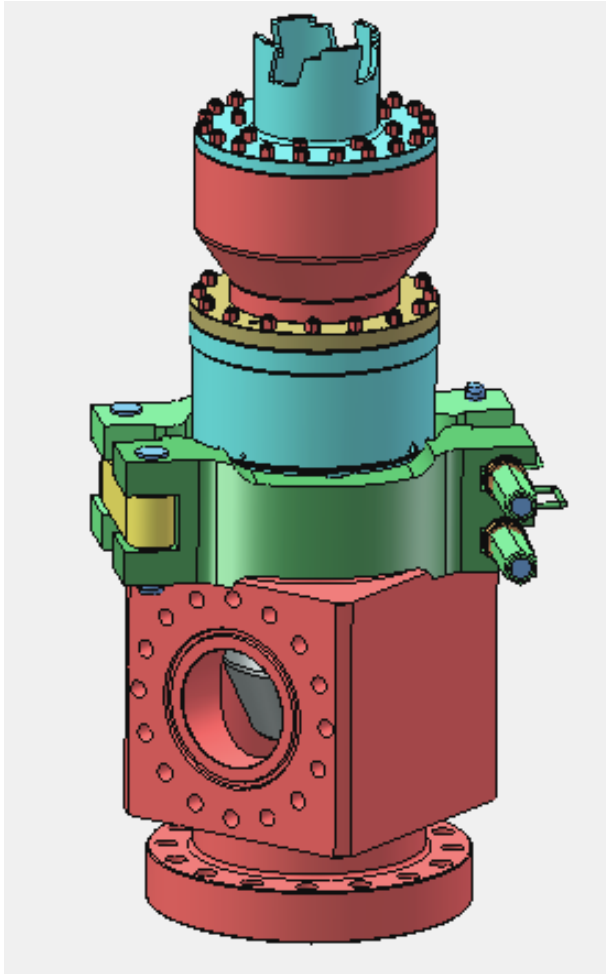
立式节流压井管汇(海洋平台用)
stand type choke&kill manifold(for platform)

规范级别 PSL:1,2,3
性能级别 PR:1,2



D. BOP

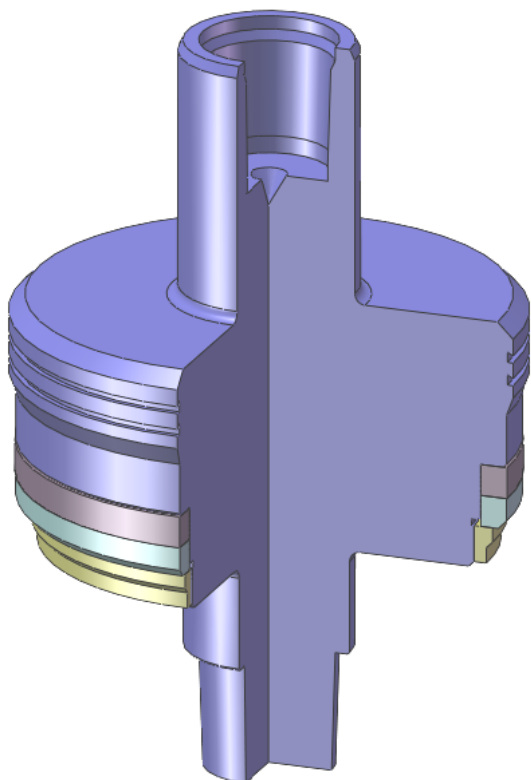
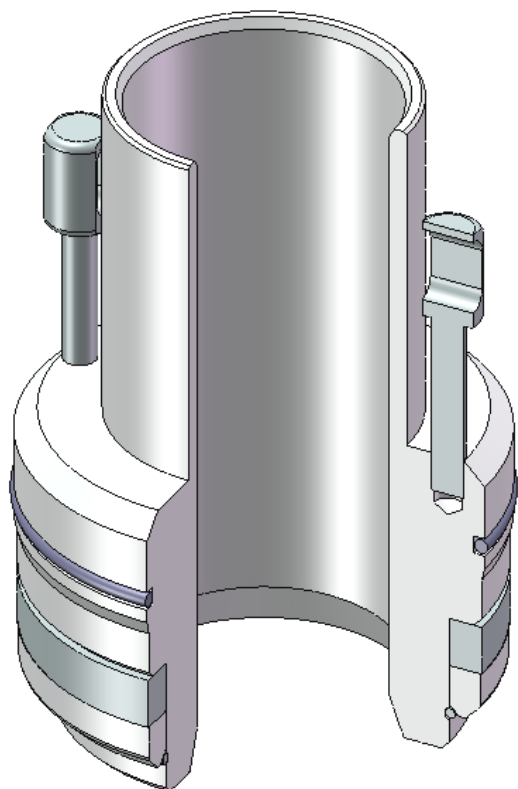
防喷器 BOP	单闸板防喷器 single ram BOP	设计规范 SPEC:API SPEC 16A
	双闸板防喷器 double ram BOP	压力 working pressure: 2000psi~10000psi
	环形防喷器 annular BOP	公称尺寸 size design: 7-1/16"~13-5/8"
	旋转防喷器 rotating BOP	温度级别 T.C:-29~121℃



E. SPECIAL TOOLS

专用工具 special tools	防磨套及取送工具 wear bushing and R.R. tool	
	防喷器试压塞 BOP test plug	
	背压阀及取送工具(H型)BPV&R.R tool(type-H)	

	背压阀及取送工具(环槽型) BPV&R.R tool(type-groove)	
	VR 堵及取送工具 VR plug&R.R tool	





F. OTHERS

其他 other	常压型泥浆气体分离器 atmosphere pressure mud/gas separator	
	钻井四通 drilling spool	
	密封垫环 ring gasket	
	螺栓螺母 stud bolt and nut	
	由壬 union	
	法兰 flange	





G. HIGH H2S SERVICE WELLHEAD & X-MAS TREE

井位 Site NO.	产品名称规格 Product Description	井口压力 Well Press.	H2S 含量 H2S Mol Cont.	CO2 含量 CO2 Mol Cont.	投产日期 Commissioning Date
峰 003-X3 井 Feng-003-X3	油管头及采油树,10M Tubing Head&X-mas tree,10M	32.4MPa	8.40%	11.20%	2008-8
复 3 井 Fu-3	油管头及采油树,10M Tubing Head&X-mas tree,10M	28.6MPa	1.40%	2.30%	2005-3
天东 53 井 TianDong-53	油管头及采油树,10M Tubing Head&X-mas tree,10M	10.3MPa	5.53%	7.90%	1998-6
天东 002-11 井 TianDong-002-11	油管头及采油树,10M Tubing Head&X-mas tree,10M	26.3MPa	1.40%	4.10%	2007-6
天东 021-3 井 TianDong-021-3	油管头及采油树,10M Tubing Head&X-mas tree,10M	21.5MPa	5%	7.45%	2007-7
峰 4 井 Feng-4	油管头及采油树,10M Tubing Head&X-mas tree,10M	48.58MPa	14.40%	5.80%	2005-11
七里 8 井 QiLi-43	油管头及采油树,10M Tubing Head&X-mas tree,10M	31.5MPa	13.20%	11.30%	2006-3
七里 14 井 QiLi-14	油管头及采油树,10M Tubing Head&X-mas tree,10M	31MPa	14.63%	3.00%	2005-10
坡 5 井 Po-5	油管头及采油树,10M Tubing Head&X-mas tree,10M	35.8MPa	13.42%	5.43%	2005-8

天东 74 井 TianDong-74	油管头及采油树,10M Tubing Head&X-mas tree,10M	15.5MPa	2.30%	4.76%	2004-10
河坝 102 井 HeBa-102	套管头,20M Casing head,20M	77.8MPa	8.50%	3.50%	
元坝 2 井 YuanBa-2	套管头,20M Casing head,20M	82.5MPa	7.60%	5.30%	
元坝 3 井 YuanBa-3	套管头,20M Casing head,20M	86.5MPa	8.20%	5.80%	